

Project:

Fixture Type:

Location:

Contact/Phone:

The LRKT400NC is 4 inch Non-class 2 driver and diecast body of LED Retrofit Kit with Smooth. It is compatible with most of 4 inch standard recessed new construction and remodel housings. The Retrofit Kit comes with a E26 medium screw-base Edison adaptor for easy installation into standard incandescent sockets.

DESCRIPTION

- Diecast aluminum heatsink dissipates heat from the LED board.
- 4 different colors for trim White, Black, Bronze, Satin Nickel.
- 3 Tension clips pre-installed on unit for easy installation.
- E26 medium screw-base Edison adaptor provides easy installation into Incandescent housings.
(GU10 and GU24 socket adaptor available - sold separately)

LED LIGHT ENGINE

- Protected LED driver performs at 120V.
- Dimming down to 10% with most dimmers.
- CCT 2700K, 3000K, 4000K, 5000K available
- CRI ≥80 or ≥90
- Long life LED chips guaranteed up to 50,000 hours.

WARRANTY

Guaranteed five years from the purchase date of the product, against mechanical defects in manufacturing.

LISTINGS

- cULus classified
- Energy star qualified
- Title 24 compliant
- Wet locations (Not suitable for coastal/salt water area)
- Damp locations
- RoHS compliances
- Tested in accordance with IESNA LM79 & LM80

PERFORMANCE DATA

Input Voltage	120V
Input Power	11W
Frequency	50 / 60Hz
C R I	90
T Ambient	-30 °C ~40 °C (-22°F ~104°F)
C C T	3000 K
Lumens	700 lm

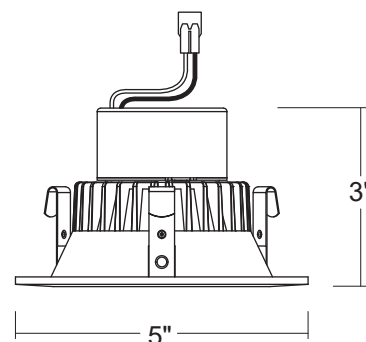
(all values at 25°C without a dimming control in circuit)

LRKT400NC

4" Non-class 2 Driver & Diecast Body LED Smooth Retrofit Kit



DIMENSIONS



PRODUCT CODES

Model NO.	Description
LRKT400NC-W	4" LED Retrofit / Smooth / White
LRKT400NC-B	4" LED Retrofit / Smooth / Black
LRKT400SNC-SN	4" LED Retrofit / Smooth / Satin Nickel
LRKT400NC-BZ	4" LED Retrofit / Smooth / Bronze

List of Triac Dimmer Switch

Mfr	Model #	Dimming Rate
COOPER	DLC03P	10 - 100%
Leviton	1A1505 / 1C1605	10 - 100%
Leviton	6631 / 6633	10 - 100%
Lutron	CT-603PG / CT-600PR	10 - 100%
Lutron	DV-600PR / DV603PG	10 - 100%
Lutron	DVW-603PGH / DVCL-153P	10 - 100%
Lutron	MACL-153M / TGCL-153P	10 - 100%
Lutron	S-600PR / S-2-LH	10 - 100%